

Side View X-ray Inspection System

TALL PACKAGED PRODUCT INSPECTION



XR75
Side View

World-Class Detection

Anritsu's Side View applies the XR75's renowned detection to rigid and tall products.

Anritsu HD imaging technology is now available for upright products like cartons, foil-lined pouches, aseptic boxes, and PET bottles. HD imaging comes standard with all XR75 machines, providing outstanding detection of both high and low density contaminants as small as 0.5 mm*.

* Actual sensitivity depends on the physical properties of products (contents and shape) and on the conditions.

Go Beyond the Metal

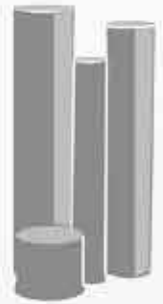
The XR75 provides accurate and repeatable detection of problematic foreign materials.



Intuitive, Time Saving Software



XR75 software helps operators work more efficiently, displaying reject images on the screen to easily identify contaminants.



COMPOSITE CANS



GABLE TOP BAGS



STANDUP POUCHES



CUPS



PET BOTTLES



GABLE TOP CARTONS



ASEPTIC BOXES

Detection Examples



Over 12,000 X-Ray Installations

ANRITSU #1 X-Ray Inspection Supplier for Food & Pharma Worldwide

Anritsu x-ray machines have more installations worldwide than any other manufacturer. Our customers value Anritsu's 50+ years of industry leading performance and reliability, built on a foundation of precision engineering and passion for a safer world.

Easy to Own, Operate & Maintain

In addition to its unparalleled detection performance, the Side View delivers low cost of ownership and proven reliability.



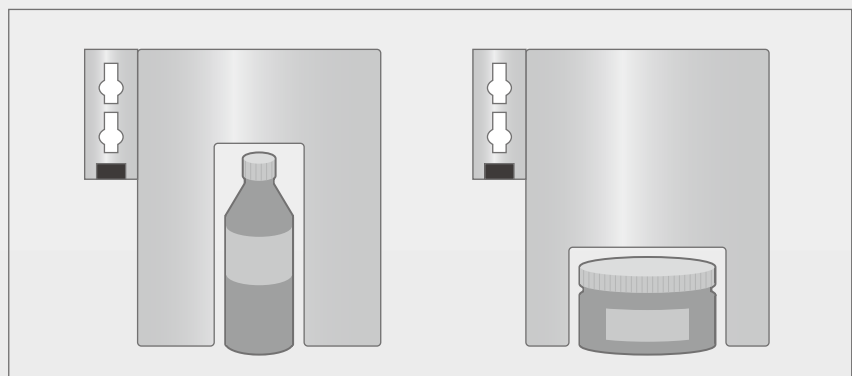
XR75

Features Your Production Team Will Appreciate

- The Side View is a **touchless (no curtains)** system, mounting over your line with no transfer points, minimizing jams and product handling issues.
- The **intuitive interface** is shared across Anritsu x-ray, checkweigher and metal detector platforms, resulting in less downtime, fewer errors, and reduced training. Configure products in minutes with the **Setup Wizard** and **Auto-Learn**.
- Anritsu **QUICCA QA software** offers real-time monitoring, traceability, reporting, and HACCP compliance. (optional)



Reject kits available: Air blast or high speed pusher (pictured)



Removable end plates available to match multiple product sizes. (optional)

Safety by Design

XR75 Side View

Anritsu believes customer safety is of utmost importance.

Anritsu safety mechanism

X-ray ON/OFF key
When in the OFF position, x-ray generation is disabled.

Emergency stop switch
Cuts x-ray power and drive circuits. Stop signal available for line control. Lock-out/tag-out capable.



X-ray operation indicator
Illuminated during x-ray operation.

X-ray access door interlock
Confirms door is completely shut prior to operation.

Hand insertion sensor
Stops x-ray if sensor is continuously blocked.



Safety management

While Anritsu x-ray Inspection systems are designed to ensure safe operation, we recommend following the procedures below for the highest degree of safety.

- 1 **Periodic measurement and recording of x-ray leakage data**
- 2 **Management of operator working hours**
- 3 **Additional safety measures**
Covers may need to be mounted on upstream and downstream conveyor, depending on the shape and package of products.
- 4 **No disassembly or modification**
NEVER modify or disassemble the main unit, covers, safety covers, safety interlocks, etc., otherwise the x-ray leak-proof design may no longer be functional.

Safety of inspected products

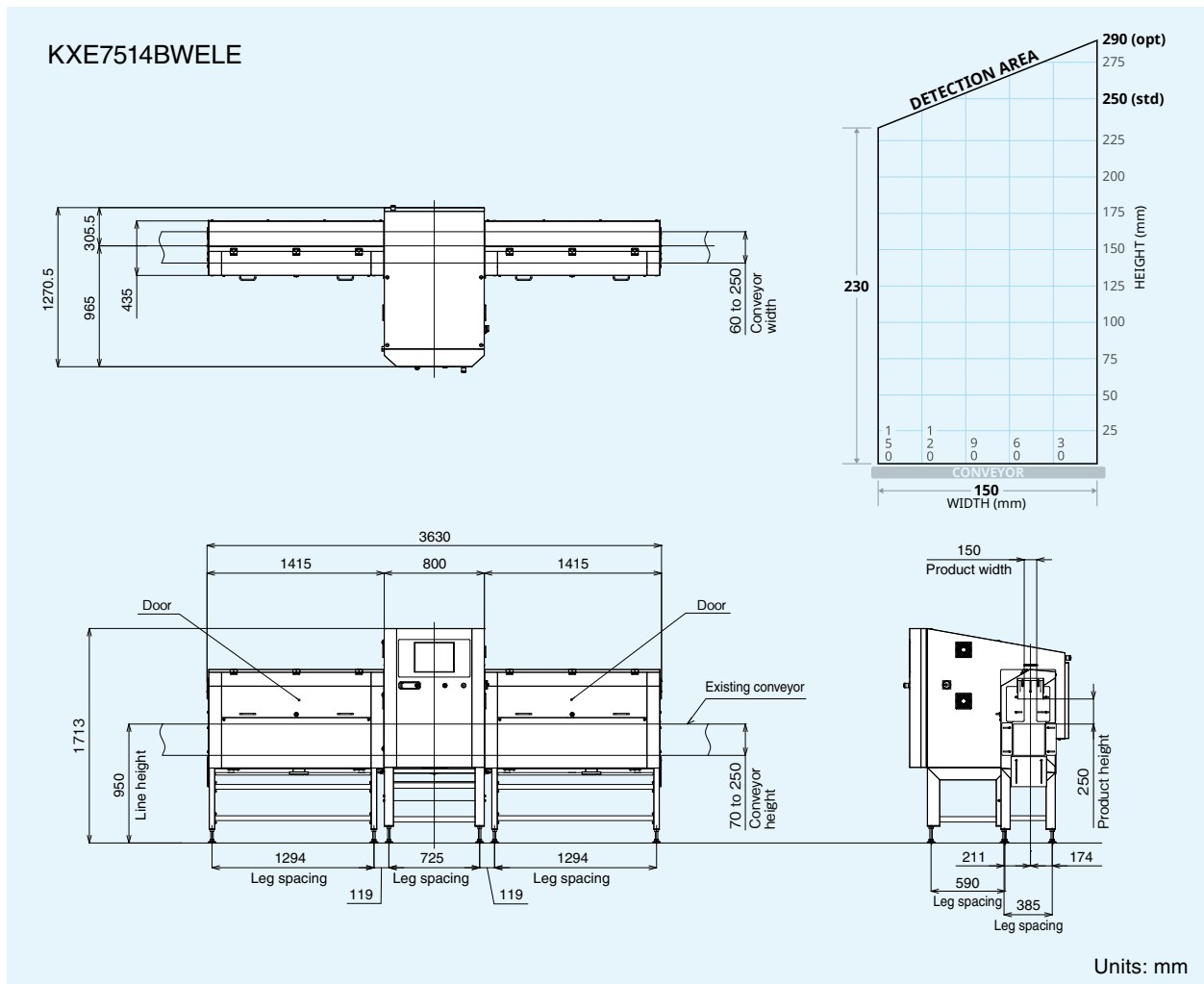
WHO concluded in 1980 that the "irradiation of any food commodity up to an overall average dose of 10 kGy presents no toxicological hazard and introduces no special nutritional or microbiological problems." The maximum dose of x-ray irradiation to the products to be inspected by our x-ray inspection systems is 0.002 Gy, which is much lower than the value described above. Even if a product stops inside, the x-ray dose is always kept to 0.1 Gy or less.

Note: Follow the local laws and regulations regarding the installation and use of the x-ray inspection systems.

Major Specifications

XR75 Side View

External Dimensions



* The above external dimensions are for reference only. The side view x-ray system does not have the conveyor unit. The shape of leakage prevention covers will be changed according to the customer's existing production line.

Specifications



Model	KXE7514BWELE
X-ray output	Tube voltage 30 to 80 kV, tube current 0.4 to 5.0 mA, output 12 to 150 W
Safety	Maximum 1.0 μ Sv/h or less, prevention of X-ray leakage by safety device
Display	15-inch color TFT LCD
Operation method	Touch panel (with touch buzzer)
Detection area ¹	Maximum width: 150 mm, maximum height: 250 mm (290 mm is available as an option)
Preset memory	200
Corresponding belt speed ²	10 to 120 m/min
Power requirements ³	100 Vac to 240 Vac, single phase, 50/60 Hz, 700 VA or less
Mass ⁴	540 kg
Environmental conditions	Temperature: 0°C to 35°C, relative humidity: 30% to 85%, non-condensing
Protection class	Inspection area: IP66 / Other parts: IP40
Casing material	Stainless steel (SUS304)

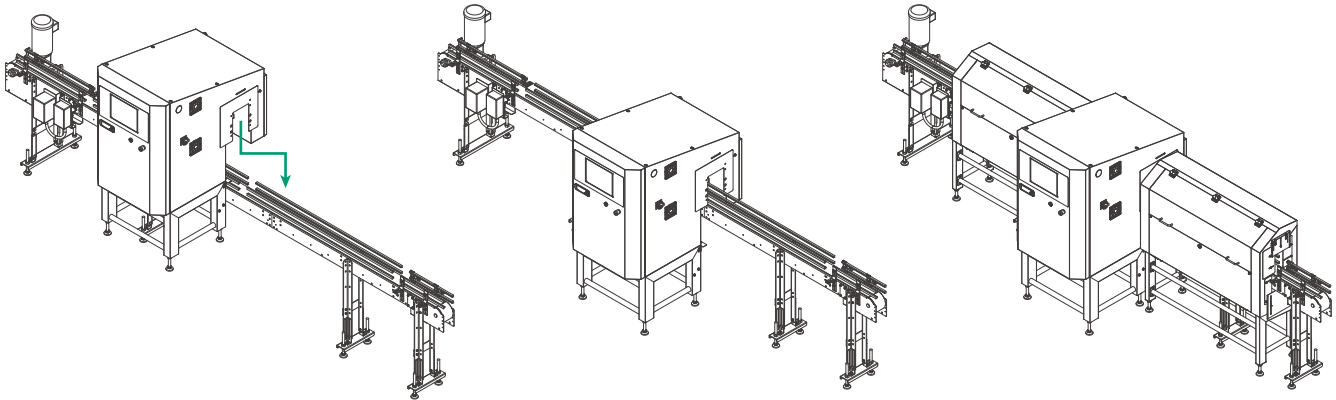
1: The product size should be within the detection area.

2: Since this model does not have the conveyor unit, it can be used with the existing conveyor at the above belt speed.

3: Allowable power fluctuation range is $\pm 10\%$.

4: Mass without option (when using the system with straight extension covers. See the above external dimensions).

Installation example



The Side View X-Ray system with leakage prevention covers mounts over the existing conveyor.

*Leakage prevention covers on right and left sides of the side view x-ray system will be customized according to the shape of the existing conveyor.

Anritsu envision : ensure

ANRITSU INFIVIS CO., LTD.

International Sales Department

5-1-1 Onna, Atsugi-shi, Kanagawa-Prf., 243-0032, JAPAN
TEL: +81-46-296-6699 FAX: +81-46-296-6786
<https://www.anritsu.com/infivis>

Anritsu Industrial Solutions (Shanghai) Co., Ltd.

3F, No.55, Lane 1505, Zuchongzhi Road, Zhangjiang Hi-tech Park, Pudong New Area, Shanghai 201203, P.R.China
TEL: +86-21-5046-3066 FAX: +86-21-5046-3068

ANRITSU INFIVIS (THAILAND) CO., LTD.

700/678 Moo 1, Amata Nakorn Industrial Estate, T. Pangthong A. Pangthong Chonburi Province Thailand 20160
TEL: +66 38-447180 FAX: +66 38-447182

ANRITSU INFIVIS LTD.

Unit 3, Scott Road, Luton, LU3 3BF, United Kingdom
TEL: +44 (0)845 539 9729

ANRITSU INFIVIS INC.

1001 Cambridge Drive, Elk Grove Village, IL 60007-2453, U.S.A.
TEL: +1-847-419-9729 FAX: +1-847-537-8266

© ANRITSU INFIVIS CO., LTD. 2018

ISO14001 CERTIFICATE No.JQA-EM0210
ISO 9001 CERTIFICATE No.JQA-0316

- Some products shown in this catalog may not be available in your country or region. Contact our sales representatives for details.
- To ensure proper operation, read the Operation Manual before using the machine.
- In addition to daily inspection, a full maintenance inspection should be completed annually.

Specifications are subject to change without notice.

No part of this catalog may be reproduced without our permission.